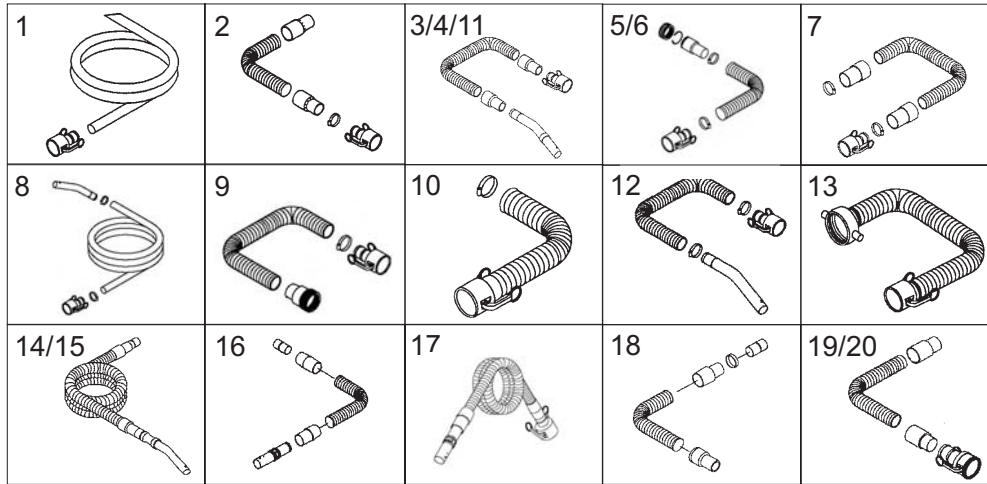


TABLE OF CONTENTS

OPTIONAL HOSE ASSEMBLIES	Pages 2-3
OPTIONAL AIR SUPPLY HOSE ASSEMBLIES	Page 3
OPTIONAL HOSE ONLY	Page 3
OPTIONAL DRAIN HOSE ACCESSORIES	Page 4
OPTIONAL CONECTION/SUCTION HOSE ASSEMBLIES	Page 4
OPTIONAL HOSE ACCESSORIES	Page 4
OPTIONAL HEPA/ULPA FILTRATION	Page 5
OPTIONAL FILTRATION ACCESSORIES	Page 6
OPTIONAL Ø32mm TOOLS	Page 7
OPTIONAL Ø38mm TOOLS	Page 8
OPTIONAL Ø50mm TOOLS	Page 8
TOOL KITS	Page 9
STATIC DISSIPATING MICRO TOOLS & CONDUCTIVE HOSES w/S/S ACCESSORIES	Page 10
MAIN CLOTH FILTERS	Page 11
CAGES FOR MAIN CLOTH FILTERS	Page 11
SPECIAL FILTERS	page 11
PRE-FILTERS	Page 12
LIQUID FILTERS	Page 12
SIEVE BASKET	Page 12
CARBON CARTRIDGES	Page 13
INTERCEPTOR RECOVERY DRUM	Page 13

OPTIONAL HOSE ASSEMBLIES TO BE USED WITH CLEANROOM VACUUM CLEANER SYSTEMS



1	212211	Clear Urethane suction hose with smooth interior and exterior. ø25mm x 2.4m. For use with mercury separator	
2	212215	Clear Urethane suction hose assembly with ø38mm PVC camlock on one end and ø38mm hose cuff on the other end. 3m. For MRV-15 Series and MRV-16 (4W) SS	
3	323403	Clear Urethane suction hose with S/S** ends. SD*. Abrasion resistant, very flexible and light weight. ø32mm x 3m. For CWR models with stainless steel recovery tanks	
4	323404	Clear Urethane suction hose. Abrasion resistant, very flexible and light weight. ø32mm x 3m. For CWR models with polyethylene recovery tanks	
5	381427	Clear Urethane suction hose with S/S** female camlock and S/S** female screw type. SD*. ø38mm x 3.8m. For CD-1500 Series	
6	381427B	Clear Urethane suction hose assembly with ø38mm S/S** female screw type connector for ø38mm accessories and S/S** female camlock. SD*. ø38mm x 3.8m. For CD-2600 Series & CD-3000 Series	
7	500395B	Clear Urethane suction hose with aluminum female camlock on one end. ø50mm x 3.8m. For CD-5000 STD Series	
8	323455	EPDM rubber suction hose with S/S** ends, with smooth interior and exterior. SD*. Autoclavable. ø32mm x 3m. This hose can resist high temperatures. NB. This hose is very rigid. For CWR Series and EXP1/SS CR Series	
9	381385	EPDM rubber suction hose assembly with S/S** female camlock and S/S** female screw type. ø38mm x 3m. For LARU-10 and EXP1/SS CR Series	
10	500362	EPDM rubber suction hose assembly with ø50mm S/S** female camlock on one end and S/S** hose clamp on the other. ø50mm x 2m. Autoclavable. For CWR-10 (PHARMA)	
11	323470	Foodgrade suction hose with S/S** ends. ø32mm x 3m. Made of crystal clear PVC. With smooth interior and exterior. Allows for easy decontamination. Meets FDA requirements (CFR title 21 parts 170-199). For CWR Series.	
12	323471	Foodgrade suction hose with S/S** ends. ø32mm x 4.5m. Made of crystal clear PVC. With smooth interior and exterior. Allows for easy decontamination. Meets FDA requirements (CFR title 21 parts 170-199). For 2D-15 DECOM(4W) RE SS HEPA	
13	381390B	Foodgrade suction hose with ø38mm S/S** female screw type connector for ø38mm accessories and S/S** female camlock for ø50mm suction intake. ø32mm x 3m. Made of crystal clear PVC. With smooth interior and exterior. Allows for easy decontamination. Meets FDA requirements (CFR title 21 parts 170-199). For CD-3000 Series	
14	323301	PVC Crushproof suction hose with curved handles and S/S** ends. ø32mm x 3m. SD* and light weight. For EMI-CWR (old system)	
15	323301B	PVC Crushproof suction hose with chrome plated steel ends. ø32mm x 3m. SD* and light weight. For CR-4D	
16	323303	PVC Crushproof suction hose with straight connector and S/S** ends. ø32mm x 1.5m. SD* and light weight. For EMI-CWR	
17	323540	PVC Crushproof suction hose assembly with straight S/S** handle and S/S** camlock. ø32mm x 3m. SD* and light weight. For CD-1500 Series and EMI-CWR SS	
18	381137A	PVC Crushproof suction hose with regular hose cuff. ø38mm x 3m. For 2D-15 HOSPITAL (TC) RE HEPA	
19	381137D	PVC Crushproof hose assembly with ø38mm camlock intake. ø38mm x 3m. For 2D-PH NUC and CS-PH NUC	
20	381140D	PVC Crushproof hose assembly for ø38mm camlock intake. ø38mm x 6.6m. For 2D-PH NUC and CS-PH NUC	

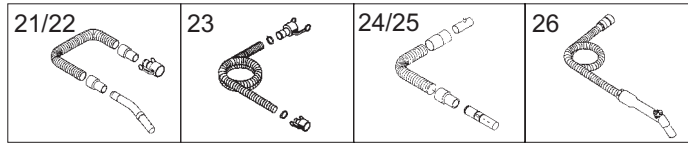
SD* - Static Dissipating

S/S** - Stainless Steel AISI 304

SC*** - Static Conductive

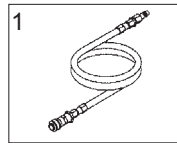
THE ABOVE PRICES ARE EXPRESSED IN € EURO FOB BOLOGNA, ITALIA - PRICES SUBJECT TO CHANGE WITHOUT NOTICE

OPTIONAL HOSE ASSEMBLIES TO BE USED WITH CLEANROOM VACUUM CLEANER SYSTEMS



21	323525	Silicone suction hose with S/S** ends. Clear with smooth interior and exterior. SD*. Autoclavable and foodgrade. ø32mm x 1.8m. This hose can resist high temperatures. Allows for easy decontamination. Complies with FDA requirements (CFR title 21 parts 170-199). NB. This hose is very rigid. For CWR Series	
22	323526	Silicone suction hose with S/S** ends. Clear with smooth interior and exterior. SD*. Autoclavable and foodgrade. ø32mm x 3.6m. This hose can resist high temperatures. Allows for easy decontamination. Complies with FDA requirements (CFR title 21 parts 170-199). NB. This hose is very rigid. For CWR Series	
23	381337	Vinylife suction hose with PVC female camlock on both ends. ø38mm x 3m. For ARU-15	
24	212070	Suction hose with S/S** ends. ø32mm x 1.5m. SD* and light weight. For MV-1CR Series	
25	212072	Suction hose with S/S** ends. ø32mm x 3m. SD* and light weight. For MV-1CR Series	
26	323497	Suction hose. ø32mm x 2.44m. For CR-1	

OPTIONAL AIR SUPPLY HOSE ASSEMBLY TO BE USED WITH CLEANROOM VACUUM CLEANER SYSTEMS



1	211787	Air supply hose assembly with female quick disconnect. ø12.7mm x 1.5m. For MRV-15 Series	
---	--------	--	--

OPTIONAL HOSES ONLY TO BE USED WITH CLEANROOM VACUUM CLEANER SYSTEMS

1	250010 323430 383438 500538	Crushproof suction hose, SC*** (no wire), ø25.4mm, black Crushproof suction hose, SC*** (no wire), ø32mm, black Crushproof suction hose, SC*** (no wire), ø38mm, black Crushproof suction hose, SC*** (no wire), ø50mm, black	
2	323340A 323340 381141 500140	PVC Crushproof suction hose, ø32mm, beige PVC Crushproof suction hose, ø32mm, grey PVC Crushproof suction hose, ø38mm, grey PVC Crushproof suction hose, ø50mm, grey	
3	323440 381425 500390 635078 990010	Clear Urethane suction hose, SD*, ø32mm Clear Urethane suction hose, SD*, ø38mm Clear Urethane suction hose, SD*, ø50mm Clear Urethane suction hose, SD*, ø64mm Clear Urethane suction hose, SD*, ø100mm	
4	381388	Foodgrade suction hose, ø38mm	
5	211813A 323450 381383 500360	EPDM drain/discharge hose, SD*, ø19mm EPDM suction hose, SD*, ø32mm EPDM suction hose, SD*, ø38mm EPDM suction hose, SD*, ø50mm	
6	323425 381335 500380 635120	Vinylife suction hose, SD*, ø32mm Vinylife suction hose, SD*, ø38mm Vinylife suction hose, SD*, ø50mm Vinylife suction hose, SD*, ø64mm	

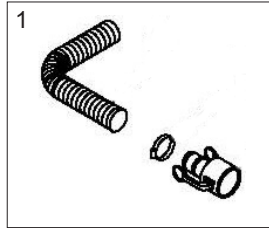
SD* - Static Dissipating

S/S** - Stainless Steel AISI 304

SC*** - Static Conductive

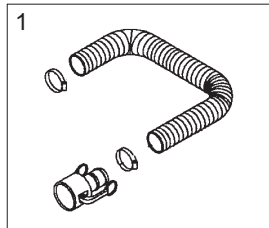
THE ABOVE PRICES ARE EXPRESSED IN € EURO FOB BOLOGNA, ITALIA - PRICES SUBJECT TO CHANGE WITHOUT NOTICE

**DRAIN HOSE ASSEMBLIES
TO BE USE WITH CLEANROOM
VACUUM CLEANER SYSTEMS**



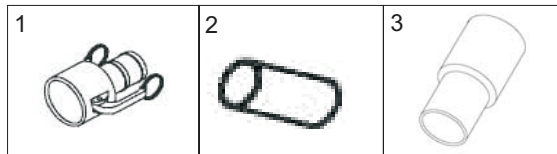
1	211157B 211815 381092 381093	Drain hose assembly. For use with model CWR-8 (4W) EPDM drain hose assembly w/female camlock, ø19mm x 1.5m, autoclavable, S/S** for LARU-10, CWR-10 (PHARMA) and EXP1/SS CR Series PVC drain hose. ø19mm x 1.5m. For ARU-15 and CWR-10/15 models with polyethylene tanks PVC drain hose. ø19mm x 1.5m. For CWR-8 (4W) models with S/S** tanks, CWR-10/15 models with S/S** tanks, MRV-15 Series, MRV-16 (4W) SS and 2D-15 DECOM (4W) RE SS HEPA	
---	---------------------------------------	--	--

**CONNECTION/SUCTION HOSE ASSEMBLIES
TO BE USE WITH CLEANROOM
VACUUM CLEANER SYSTEMS**



1	381336 381386 381387 500381	PVC Crushproof connection hose. ø38mm x 1.5m with PVC female camloc on both ends. For ARU-15 EPDM connection hose assembly with S/S female camlock on both ends. ø38mm x 1.5m. For LARU-10 Vinylife connection/suction hose with ø38mm female camlock on one end. ø38mm x 1.8m. To connect vacuum cleaner to processing equipment. For CD-1500 Series and CD-3000 Series Vinylife connection/suction hose with ø50mm female camlock on one end. ø50mm x 1.8m. To connect vacuum cleaner to processing equipment. For CD-2600 CR (MFS) and CD-5000 Series	
---	--------------------------------------	---	--

**OPTIONAL HOSE ACCESSORIES
TO BE USE WITH CLEANROOM
VACUUM CLEANER SYSTEMS**



1	381229	Female adaptor, Camlock part c, ø38mm, aluminum. For 2D-PH NUC and CS-PH NUC	
2	381205	Hose cuff union, ø38mm, grey PVC	
3	381199	Hose cuff, ø38mm, grey PVC	

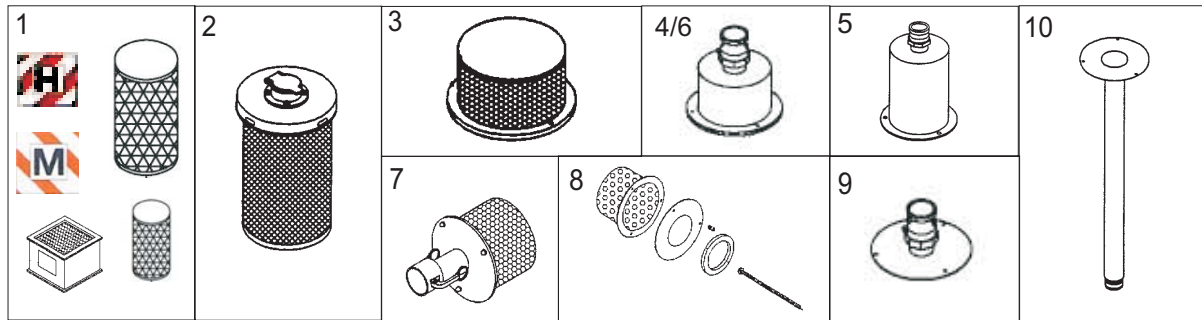
SD* - Static Dissipating

S/S** - Stainless Steel AISI 304

SC*** - Static Conductive

THE ABOVE PRICES ARE EXPRESSED IN € EURO FOB BOLOGNA, ITALIA - PRICES SUBJECT TO CHANGE WITHOUT NOTICE

HEPA/ULPA FILTERS AND ACCESSORIES FOR USE WITH CLEANROOM VACUUM CLEANER SYSTEMS



1	<p>HEPA Filter - H14 - efficiency of 99.995% on 0.3 µm as per EN 1822. Once installed the vacuum cleaner meets Class M standards.</p> <p>211027B HEPA filter for CD-1500 Series, CR-4D, CWR (MRAC) Series, MRV-15 Series MRV-16 (4W) SS, 2D-15 DECOM Series and EXP1/SS CR Series</p> <p>212202 HEPA filter for CD-5000 STD Series</p> <p>ULPA Filter - U15 - efficiency of 99.9995% on 0.18 µm as per EN 1822. Once installed the vacuum cleaner meets Class H standards.</p> <p>211027 ULPA filter for CD-1500 Series, CR-4D, CWR Series, CWR (MRAC) Series, EMI-CWR Series, MRV-8 Series, PH-NUC Series and EXP1/SS CR Series</p> <p>212073 ULPA filter for MV-1CR Series</p> <p>212203 ULPA filter for CD-2600 Series</p> <p>212304 ULPA filter for CR-1</p>	
2	213260 Containment HEPA filter with lid with suction intake. For MV-1CR (CV) Series	
3	212206 External HEPA/ULPA housing, S/S**. For CD-2600 Series, CD-3000 Series and CD-5000 Series	
4	212496A Housing for ULPA Filter, S/S**, with ø50mm male camlock. Allows for an exhaust hose to be used in conjunction with ULPA filter # 211027. Electropolished. For CD-1500 Series	
5	213004 External housing for HEPA/ULPA filter, S/S**, with ø50mm camlock. Allows for an exhaust hose to be used in conjunction with the ULPA filter. Electropolished. For CD-2600 Series, CD-3000 Series and CD-5000 Series	
6	213088 Housing for HEPA/ULPA filter, S/S**. For CD-1500 Series	
7	214082 Detachable ULPA housing assembly with ULPA filter. For use with 2D-PH NUC and CS-PH NUC	
8	214860 ULPA housing protector kit for ULPA filter. Includes gasket. Made of powder coated steel. For CR-1	
9	213035 Adaptor plate with ø50mm male camlock. Allows for an exhaust hose to be used with the vacuum cleaner without using the ULPA filter. For CD-1500 Series, CD-2600 Series, CD-3000 Series and CD-5000 Series	
10	213380 Support tube with plate for downstream ULPA filter. S/S**. For CD-1500 Series	

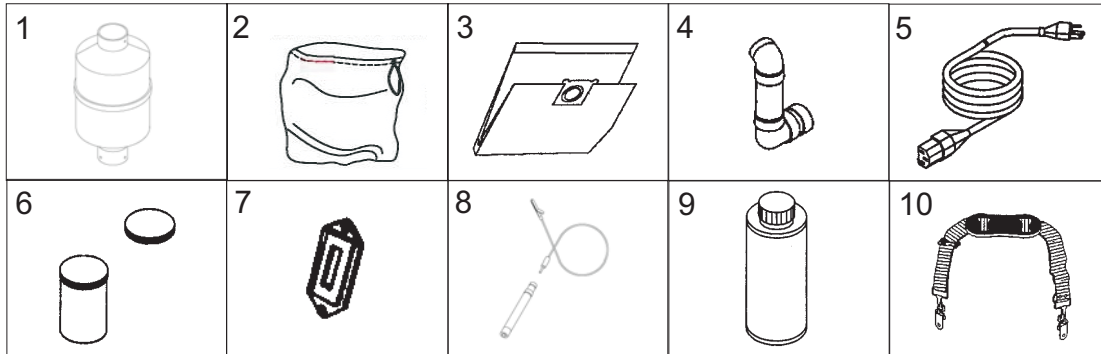
SD* - Static Dissipating

S/S** - Stainless Steel AISI 304

SC*** - Static Conductive

THE ABOVE PRICES ARE EXPRESSED IN € EURO FOB BOLOGNA, ITALIA - PRICES SUBJECT TO CHANGE WITHOUT NOTICE

OPTIONAL ACCESSORIES FOR CLEANROOM VACUUM CLEANERS



1	214352A	Exhaust Silencer for CD-1500, ABS type	
2	212100A 212100B 212368 213340 214830 214832	Poly liner recovery bag. Conductive. For EXP1/SS CR Series 10 gallon models Poly liner recovery bag. Conductive. For EXP1/SS CR Series 15 gallon models Poly liner recovery bags for MRV-15 SERIES and MRV-16 (4W) SS (Package of 5) Poly liner recovery bags for CD-5000 (SCFS) (Package of 5) Poly liner recovery bags for CD-1500 CR (MCF) (Package of 5) Poly liner recovery bags for CD-1500 CR (DFB) (Package of 5)	
3	211028 211069 211063 212075 212230 212500	Latex disposable filter bags with microliner for CR-4D, CWR-8 Series and EMI-CWR Series (Package of 5) Latex disposable filter bags with microliner for CR-4D, CWR-8 Series and EMI-CWR Series (Package of 12) Disposable paper filter bags for LARU-10, CWR-10/15 Series, CWR (MRAC) Series, MRV-15 Series, MRV-16 (4W) SS and 2D-15 DECOM Series (Package of 5) Disposable paper filter bags for MV-1CR (HH) (Package of 5) Disposable paper filter bags for MV-1CR (BP and GC) (Package of 5) Disposable paper filter bags for CD-1500 (DFB) and CR-1 (Package of 5)	
4	211282 211591C 211840 211841 212730	Connector for paper filter bags for CWR-15 (4W) Poly and CWR-15 (4W) Poly (MRAC) Connector for paper filter bags for CWR-8 Poly Connector for paper filter bags for LARU-10, CWR-10 (4W), CWR-10 (MRAC) Series, MRV-15 Series and MRV-16 (4W) SS Connector for paper filter bags for CWR-15 (4W), CWR-15 (4W) MRAC and 2D-15 Decom (4W) RE SS HEPA Connector for paper filter bags for CWR-8 (4W) and EMI-CWR SS	
5	212080 212081 212082 212083	Detachable power cord for 120V. 10m. For MV-1CR Series Detachable power cord with European plug for 240V. 10m. For MV-1CR Series Detachable power cord with UK plug for 240V. 10m. For MV-1CR Series Detachable power cord with Swiss plug for 240V. 10m. For MV-1CR Series	
6	212210	Replacement mercury recovery jar with lid. 540 ml	
7	213058	Hour counter 100V to 230V (must be factory installed). For MRV-8 Series	
8	211065	Ground continuity tester (batteries not included)	
9	211701	De-foaming liquid, 909ml	
10	211607	Shoulder Strap for MV-1CR (HH)	

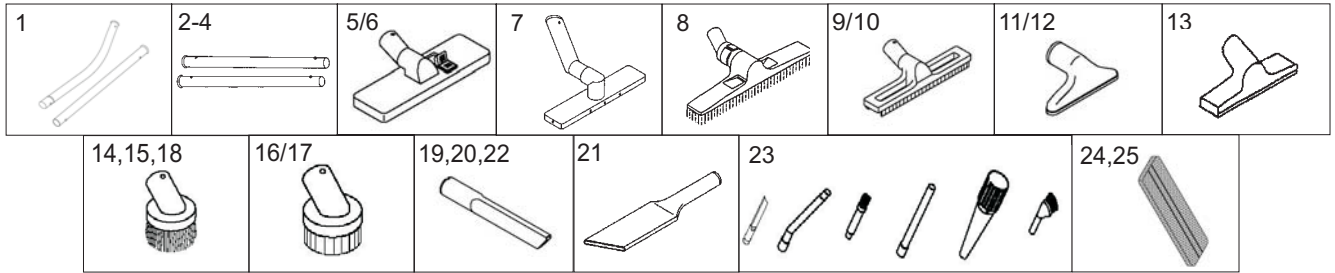
SD* - Static Dissipating

S/S** - Stainless Steel AISI 304

SC*** - Static Conductive

THE ABOVE PRICES ARE EXPRESSED IN € EURO FOB BOLOGNA, ITALIA - PRICES SUBJECT TO CHANGE WITHOUT NOTICE

OPTIONAL ø32mm Tools - CAN BE USED IN ZONE 2 (GAS) ZONE 22 (DUST) ONLY



1	323331	Wands, set of 2, one curved and one straight, S/S**. For CD-1500 Series, EMI-CWR and MV-1CR Series	
2	323330	Wands, Extension, set of 2, both straight, S/S**. For CWR Series, EMI-CWR (old system), 2D-15 DECOM (4W) RE SS HEPA and EXP1/SS CR Series	
3	323504	Wands, Extension, set of 2. 51cm each. For CR-1	
4	323315	Wands, Extension, set of 2. Made of chrome plated steel. For CR-4D	
5	323311	Combi Floor Tool. Made of PVC. For CR-4D and CWR Series	
6	323311B	Combi Floor Tool, black. For CD-1500 Series, EMI-CWR Series and MV-1CR Series	
7	323412	Floor Tool Assembly, SD*, 30cm, S/S**. Autoclavable. Assembled with nylon wheels and nitrile rubber blades. For CWR Series, EMI-CWR Series and EXP1/SS CR Series	
8	323508	Floor Tool, 36cm. For CR-1	
9	323317	Utility Floor Tool with wheels and rubber blades. Made of PVC. For CR-4D, CWR Series and 2D-15 DECOM (4W) RE SS HEPA	
10	323317A	Utility Floor Tool with wheels and rubber blades. Made of ESD safe plastic. For CD-1500 Series, EMI-CWR Series and MV-1CR Series	
11	323314	Flat Tool (Upholstery Tool). Made of PVC. For CR-4D, CWR Series, MRV-15 Series, MRV-16 (4W) SS and 2D-15 DECOM (4W) RE SS HEPA	
12	323314A	Flat Tool. Made of ESD safe plastic. For CD-1500 Series, EMI-CWR Series and MV-1CR Series	
13	323512	Upholstery Tool, 12.7cm. For CR-1	
14	323312	Round Brush. For CR-4D, MRV-15 Series and MRV-16 (4W) SS	
15	323312A	Round Brush. Made of ESD safe plastic. For CD-1500 Series, EMI-CWR Series and MV-1CR Series	
16	323321	Round Tool with rubber blades. For CR-4D, CWR Series, MV-1CR Series and 2D-15 DECOM (4W) RE SS	
17	323321A	Round Tool with rubber blades. Made of ESD safe plastic. For CD-1500 Series and EMI-CWR Series	
18	323514	Dusting Brush, 8cm. For CR-1	
19	323313	Crevice Tool. Made of PVC. For CR-4D, CWR Series and 2D-15 DECOM (4W) RE SS HEPA	
20	323313A	Crevice Tool. Made of ESD safe plastic. For CD-1500 Series, EMI-CWR Series and MV-1CR Series	
21	323413	Crevice Tool, SD*. Autoclavable. 25.4cm, S/S**. For CWR Series, EMI-CWR Series & EXP1/SS CR Series	
22	323510	Crevice Tool, 20cm. For CR-1	
23	323316	Micro Tool Kit. Made of ESD Safe Plastic. Consists of the following 6 mini attachments: 323316A - Crevice Tool, 10mm x 85mm 323316B - Extension Curve, ø12mm x 130mm 323316C - Round Dusting Brush, ø10mm x 70mm 323316D - Straight extension, ø12mm x 130mm 323316E - Conical reducer, ø32mm to 10mm, 145mm 323316F - Oval Dusting Brush, ø10mm x 60mm	
24	211066	Micro Pad for use with Combi Tool. Made of continuous filament polyester mesh, laundered and heat sealed. Ideal for particle sample analysis.	
25	211067	Micro Pad for use with Combi Tool. Made of continuous filament polyester mesh, laundered and heat sealed. Ideal for particle sample analysis. (Package of 6)	

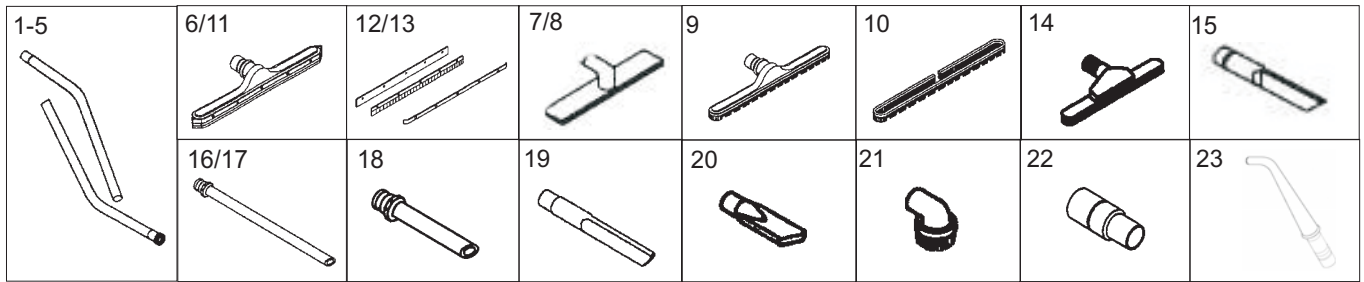
SD* - Static Dissipating

S/S** - Stainless Steel AISI 304

SC*** - Static Conductive

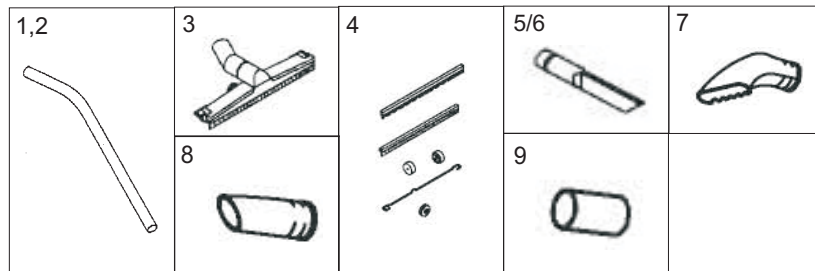
THE ABOVE PRICES ARE EXPRESSED IN € EURO FOB BOLOGNA, ITALIA - PRICES SUBJECT TO CHANGE WITHOUT NOTICE

OPTIONAL ø38mm Tools FOR USE WITH CLEANROOM VACUUM CLEANER SYSTEMS



1	381351	Wand, double bend. 1.37m. Non-metallic. For ARU-15	
2	381351A	Wand, double bend. 1.37m. ABS with American attachment. For MRV-15 Series	
3	381364	Wand, 2 pcs. S/S**. For MRV-16 (4W) SS	
4	381366	Wand assembly, 2 pcs. S/S** with S/S** screw type tool coupling. For LARU-10 and EXP1/SS CR Series	
5	381477	Wand, double bend, 2 pcs. Chrome. For 2D-PH NUC and CS-PH NUC	
6	381355	Squeegee Floor Tool with EPDM rubber blades. 36cm. For ARU-15	
7	381370	Floor Tool with nylon wheels and nitrile rubber blades. S/S**. Autoclavable. 35.5cm. For LARU-10 and EXP1/SS CR Series	
8	381370B	Replacement nitrile rubber blades for 35.5cm floor tool	
9	381380	Floor Brush. 35cm. ABS with nylon bristles for dry recovery. For MRV-15 Series and MRV-16 (4W) SS	
10	381379	Replacement nylon bristles for 35cm floor brush	
11	381381	Squeegee Tool. 35cm. ABS w/squeegee blades for liquid recovery. For MRV-15 Series & MRV-16 (4W) SS	
12	381382	Replacement squeegee blades, set of 2, for 35cm floor tool	
13	381443	Replacement metal strips, set of 2, for 35cm floor tool	
14	381485	Floor Tool with brushes. 41cm. For 2D-PH NUC and CS-PH NUC	
15	381197	Crevice Tool. 27cm. Made of PVC. For MRV-15 Series and MRV-16 (4W) SS	
16	381352	Crevice Nozzle. 1.22m. Non-metallic. For ARU-15	
17	381353	Crevice Nozzle. 91cm. Non-metallic. For ARU-15	
18	381354	Crevice Nozzle. 30cm. Non-metallic. For ARU-15	
19	381372	Crevice Tool. 28cm. S/S**. For LARU-10 and EXP1/SS CR Series	
20	381480	Crevice Tool. 25cm. For 2D-PH NUC and CS-PH NUC	
21	381482	Dusting Brush. 7.6cm. For 2D-PH NUC and CS-PH NUC	
22	381207	Reducer, ø38mm to ø32mm. For MRV-15 Series and MRV-16 (4W) SS	
23	383464	Conical Nozzle with curved tip, silicone, with adaptor. 25cm.	

OPTIONAL ø50mm Tools FOR USE WITH CLEANROOM VACUUM CLEANER SYSTEMS



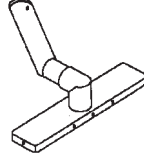
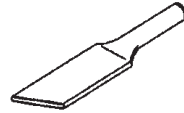



1	500160	Wand, single bend. 1.22m. Aluminum. For CD-5000 Series	
2	500160SA	Wand, single bend. 1.22m. S/S**. Autoclavable. Electropolished. For CWR-10 (PHARMA)	
3	500161	Universal Floor Tool. 50cm. For wet and dry recovery. For CD-5000 Series	
4	500145	Blades for Universal Tool, set of 2. 508mm. Rubber.	
	500146	Brush Strips for Universal Tool, set of 2. 508mm	
	381174	Wheel for Universal Tool. Plastic	
	500151	Axle for Universal Tool. 508mm. Chrome	
	381178	Knob for Universal Tool	
5	500156B	Crevice Tool. 38cm. For CD-5000 Series	
6	500558A	Crevice Tool. 38cm. S/S**. Autoclavable. Electropolished. For CWR-10 (PHARMA)	
7	500235M	Tiger-Claw Tool. 11.5cm. Autoclavable. Made of clear foodgrade silicone. For CWR-10 (PHARMA)	
8	500231M	Conical Nozzle. 19cm. Autoclavable. Made of clear foodgrade silicone. For CWR-10 (PHARMA)	
9	500554A	Adaptor for use with #500235M and 500231M. S/S**. Autoclavable. Electropolished	


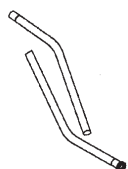


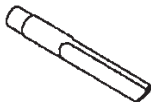
SD* - Static Dissipating S/S** - Stainless Steel AISI 304 SC*** - Static Conductive

THE ABOVE PRICES ARE EXPRESSED IN € EURO FOB BOLOGNA, ITALIA - PRICES SUBJECT TO CHANGE WITHOUT NOTICE

TOOL KIT No. 9A - ø32mm FOR USE WITH CLEANROOM VACUUM CLEANER SYSTEMS

1		2		3		4		5	
	For pneumatic kit only								
1	211832	Air Supply Hose Assembly, SD*, for cleanrooms, smooth exterior & quick disconnects, ø12.7mm x 7.5m							
2	323455	EPDM Hose Assembly, SD*, autoclavable, 3m							
3	323412	Floor Tool Assembly, autoclavable, 30cm, S/S**							
4	323413	Crevice Tool, autoclavable, ø25.4cm, S/S**							
5	323330	Extension Wands, both straight, set of 2, S/S**							
	323292	Tool Kit # 9A - For electric cleanroom Explosion Proof Vacuum Cleaners, ø32mm (Not including Air Supply)							
	323293	Tool Kit # 9A - For pneumatic cleanroom Explosion Proof Vacuum Cleaners, ø32mm (Includes Air Supply)							

TOOL KIT No. 9B - ø38mm FOR USE WITH CLEANROOM VACUUM CLEANER SYSTEMS

1		2		3		4		5	
	For pneumatic kit only								
1	211832	Air Supply Hose Assembly, SD*, for cleanrooms, smooth exterior & quick disconnects, ø12.7mm x 7.5m							
2	381366	Wand Assembly, with stainless steel attachment, 2 pcs, S/S**							
3	381427	Clear Urethane Suction Hose Assembly, SD*, with S/S** female camlock and S/S** female screw type, ø38mm x 3.8m							
4	381370	Floor Tool Assembly, with rubber blades and wheels, 36cm, S/S**							
5	381372	Crevice Tool, 28cm, S/S**							
	381115	Tool Kit # 9B - For electric Cleanroom Explosion Proof Vacuum Cleaners, ø38mm (Not including Air Supply)							
	381116	Tool Kit # 9B - For pneumatic Cleanroom Explosion Proof Vacuum Cleaners, ø38mm (Includes Air Supply)							
		Optional Hose Assemblies							
	381427B	Clear Urethane Suction Hose Assembly, SD*, with S/S** female camlock and screw type for ø50mm intake, ø38mm x 3.8m							
	211835	Air Supply Hose Assembly, SD*, for cleanrooms, smooth exterior & quick disconnect, ø38mm x 15m							

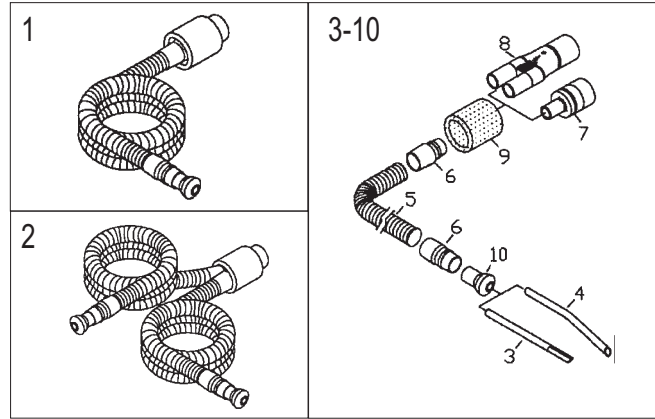
SD* - Static Dissipating

S/S** - Stainless Steel AISI 304

SC*** - Static Conductive

THE ABOVE PRICES ARE EXPRESSED IN € EURO FOB BOLOGNA, ITALIA - PRICES SUBJECT TO CHANGE WITHOUT NOTICE

STATIC DISSIPATING MICRO TOOLS AND CONDUCTIVE HOSES WITH STAINLESS STEEL ACCESSORIES TO BE USED WITH CLEANROOM VACUUM CLEANER SYSTEMS



1	200001	Single Operator Attachment for EMI-CWR. Static dissipating Includes the following: (1) Static dissipating hose. $\varnothing 20\text{mm} \times 3.75\text{m}$ (1) Single operator connector (1) Adaptor (1) Muffler for connector	
	200001B	Single Operator Attachment for CWR-10/15/25	
	200001C	Single Operator Attachment for static dissipating micro tools for use with model MV-1	
2	200002	Double Operator Attachment for EMI-CWR. Static dissipating Includes the following: (2) Static dissipating hoses. $\varnothing 20\text{mm} \times 3.75\text{m}$ (1) Double operator connector (2) Adaptors (1) Muffler for connector	
3	200003	Straight Micro Crevice Tool. $\varnothing 6.4\text{mm} \times 16\text{cm}$. Stainless steel	
4	200004	Curved Tip. $\varnothing 6.4\text{mm} \times 16\text{cm}$. Stainless steel	
5	200005	PVC hose only. $\varnothing 20\text{mm}$. Static dissipating. With internal ground wire. Maximum length: 7.5m	
6	200006	Hose cuff for $\varnothing 20\text{mm}$ hose. PVC	
7	381512	Male connector for $\varnothing 38\text{mm}$ screw type intake for $\varnothing 19\text{mm}$ hose. Aluminum	
8	200008	Double Operator Connector	
9	200009	Muffler for connector	
10	200010	Adaptor for $\varnothing 20\text{mm}$ hose with $\varnothing 6.4\text{mm}$ micro tool. Stainless steel	

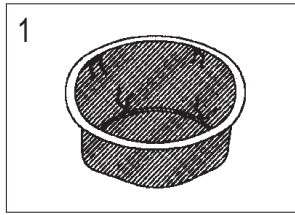
SD* - Static Dissipating

S/S** - Stainless Steel AISI 304

SC*** - Static Conductive

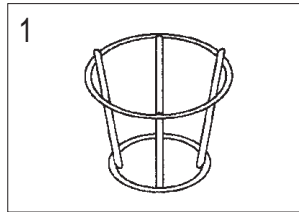
THE ABOVE PRICES ARE EXPRESSED IN € EURO FOB BOLOGNA, ITALIA - PRICES SUBJECT TO CHANGE WITHOUT NOTICE

MAIN CLOTH FILTERS
TO BE USED WITH CLEANROOM
VACUUM CLEANER SYSTEMS



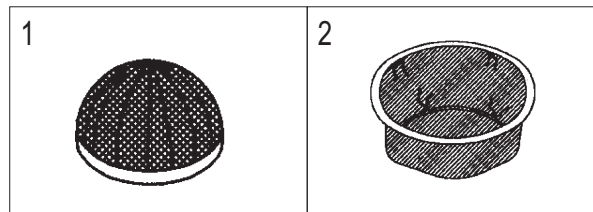
1	211013B 211226 211265A 211305 211305A 211430A 212078 212232 212502 212803A 212803AT 213677	Main filter assembly with stainless steel ring. SD*. For EXP1/SS CR Series Double cloth filter. For CR-4D and EMI-CWR Double cloth filter with laces for filter cage. For CWR-8 Series and EMI-CWR SS Double cloth filter. For CWR (MRAC) Series, MRV-15 Series, MRV-16 (4W) SS and 2D-15 DECOM Series Double cloth filter with laces for wire cage. For CWR-10/15 Series Main filter with laces for filter cage. For CD-5000 Series Cloth filter. For MV-1CR (HH) Cloth filter. For MV-1CR (BP and GC) Cloth filter for CR-1 Main filter with laces for filter cage. For CD-3000 Series Main filter with laces, PTFE laminated polyester filter. For CD-1500 Series Polyester filter assembly with clamp. Disposable. For MRV-8 Series	
---	---	--	--

WIRE CAGES
TO BE USED WITH CLEANROOM
VACUUM CLEANER SYSTEMS



1	212408A 212732A 212734 212734A 213386A	Wire cage for cloth filter, electropolished. For CD-3000 series Wire cage for cloth filter, S/S**, electropolished. For CWR-8 Series and EMI-CWR SS Wire cage for cloth filter. For CD-5000 Series Wire cage for cloth filter, S/S**, electropolished. For LARU-10 and CWR-10/15 Series Wire cage for cloth filter, S/S**, electropolished. For CD-1500 Series	
---	--	--	--

SPECIAL FILTERS
TO BE USED WITH CLEANROOM
VACUUM CLEANER SYSTEMS

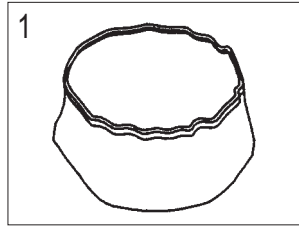


1	211623	Dome Filter	
2	212079 213254	Special filter lined with S/S** for the recovery of broken wafers. Replaces the Paper Filter Bag and Cloth Filter. For model MV-1CR (HH) Special filter lined with S/S** for the recovery of broken wafers. Replaces the Paper Filter Bag and Cloth Filter. For models MV-1CR (BP & GC)	

SD* - Static Dissipating S/S - Stainless Steel AISI 304 SC*** - Static Conductive**

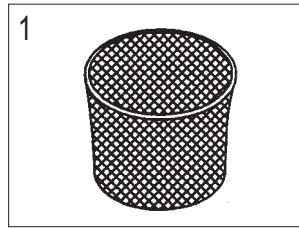
THE ABOVE PRICES ARE EXPRESSED IN € EURO FOB BOLOGNA, ITALIA - PRICES SUBJECT TO CHANGE WITHOUT NOTICE

PRE-FILTERS
FOR USE WITH CLEANROOM
VACUUM CLEANER SYSTEMS



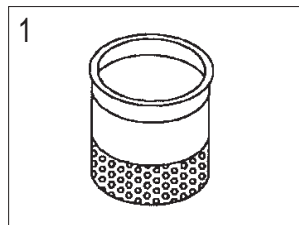
1	212008B 212057 212811 213152	Pre-filter assembly with stainless steel ring. SD*. For EXP1/SS CR Series Dralon Pre-filter assembly for CD-5000 (MRAC) Dralon pre-filter assembly with S/S** ring for CD-3000 CR (MRAC) Dralon pre-filter assembly with snaps for CD-5000 (SCFS)	
---	---------------------------------------	--	--

LIQUID FILTERS
FOR USE WITH CLEANROOM
VACUUM CLEANER SYSTEMS



1	211010B 211394 211394A 211749	Liquid filter assembly with S/S** ring. For EXP1/SS CR Series Liquid filter. For MRV-15 Series, MRV-16 (4W) SS and 2D-15 DECOM Series Liquid filter assembly with S/S** ring. For CWR (MRAC) Series Liquid filter with Santoprene gasket and S/S** ring. For ARU-15	
---	--	--	--

SIEVE BASKET
FOR USE WITH CLEANROOM
VACUUM CLEANER SYSTEMS



1	214979A	Sieve basket with EPDM gasket. Autoclavable. S/S**, electropolished. For CWR-10 (PHARMA)	
---	---------	--	--

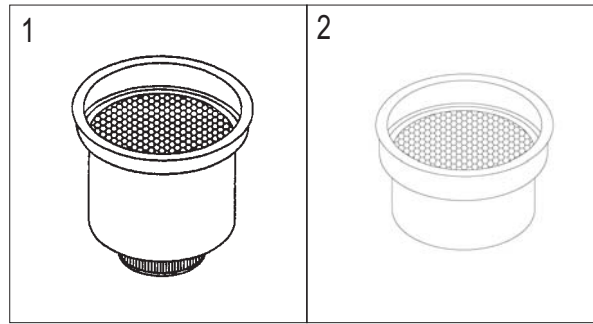
SD* - Static Dissipating

S/S - Stainless Steel AISI 304**

SC* - Static Conductive**

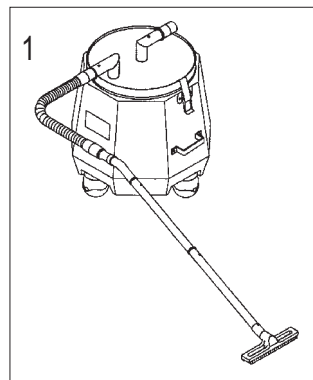
THE ABOVE PRICES ARE EXPRESSED IN € EURO FOB BOLOGNA, ITALIA - PRICES SUBJECT TO CHANGE WITHOUT NOTICE

CARBON CARTRIDGES
FOR USE WITH CLEANROOM
VACUUM CLEANER SYSTEMS



1	212200A	Carbon cartridge with 3.5kg of 1.5mm Mersorb brand carbon for the adsorption of mercury vapors. Includes HEPA filter. For MRV-8 Series	
2	212200B	Carbon cartridge with 8kg of 3mm regular carbon for fuel and solvent vapors. For ARU-15, LARU-10, CD-5000 STD (MRAC), MRV-15 Series, MRV-16 (4W) SS and EXP1/SS CR Series	
	212200C	Carbon cartridge with 8kg of 3mm Mersorb brand carbon for mercury vapors. For ARU-15, LARU-10, CD-5000 STD (MRAC), MRV-15 Series, MRV-16 (4W) SS and EXP1/SS CR Series	
	212200K	Carbon cartridge with 8kg of 3mm Kina3 brand carbon for chloride and acid vapors (HF, HCL, etc). For ARU-15, LARU-10, CD-5000 STD (MRAC), MRV-15 Series, MRV-16 (4W) SS and EXP1/SS CR Series	
	212200L	Carbon cartridge with 8kg of 3mm Nusorb A-3 brand carbon for arsine and phosphine. Also suitable for certain type of acid vapors. For ARU-15, LARU-10, CD-5000 STD (MRAC), MRV-15 Series, MRV-16 (4W) SS and EXP1/SS CR Series	
	213348B	Carbon cartridge with 8kg of 3mm regular carbon for fuel and solvent vapors. For CD-3000 (MRAC)	
	213348C	Carbon cartridge with 8kg of 3mm Mersorb brand carbon for mercury vapors. For CD-3000 (MRAC)	
	213348K	Carbon cartridge with 8kg of 3mm Kina# brand carbon for chloride vapors and acid vapors (HF, HCL, etc). For CD-3000 (MRAC)	
	213348L	Carbon cartridge with 8kg of 3mm Nusorb A-3 brand carbon for arsine and phosphine. Also suitable for certain types of acid vapors. For CD-3000 (MRAC)	

INTERCEPTOR RECOVERY DRUM
FOR USE WITH CLEANROOM
VACUUM CLEANER SYSTEMS



1	211024	Model INT-5 (CR) includes a suction hose with stainless steel ends. Stainless steel extension wands and a PVC floor tool for liquid recovery. The following components are made of stainless steel: lid, floater housing, hose ends and extension wands. The recovery tank is made of corrosion resistant polyethylene.	

SD* - Static Dissipating

S/S** - Stainless Steel AISI 304

SC*** - Static Conductive

THE ABOVE PRICES ARE EXPRESSED IN € EURO FOB BOLOGNA, ITALIA - PRICES SUBJECT TO CHANGE WITHOUT NOTICE