







# EMI-1000 ULPA



ELECTRICALLY OPERATED CLEANROOM VACUUM CLEANER SYSTEM  
MODEL EMI-1000 ULPA  
AVAILABLE WITH SAFE CONTAINMENT CANISTER



Top: EMI-1000 with Stainless steel  
AISI 316 Recovery tank  
Right: EMI-1000 with safe containment  
canister

Characteristics:

 Cleanroom Applications	 Static Dissipating	 ULPA Filter Included
 Safe Containment	 Low noise level	 AISI 304 & 316 Stainless Steel

- ULPA Filtration U15
- Cleanroom compatible with ISO Class 4 (former Class 10). Can be used in the pharmaceutical industry
- Static free and ESD safe. EMI/RFI Shielded. Electrical resistivity of less than 10 Ohms. TELECOM package available
- 3-stage filtration system include an ULPA Filter U15, Cloth Filter and Disposable Filter Bag.
- Designed for general cleanup in contamination controlled environments
- Single phase thru-flow motor
- Dual Speed Control to regulate suction
- For dry recovery only
- Filter Chamber and Recovery Tank are made of stainless steel AISI 316 and are autoclavable.
- Available with a Safe Containment Canister for the safe collection, containment and disposal of potent compounds
- Recovery capacity of 4 gallons (15.2 liters) in recovery tank or 2 gallons ( 7.6 liters) in Disposable Filter Bag
- Based on a 4-wheel dolly for easy maneuverability
- Available with 3 optional tool kits - standard, ESD safe and autoclavable

**Tiger-Vac**<sup>®</sup>

...The name to vacuum with

Tiger-Vac Inc. (USA)  
73 S.W. 12 Ave. Bldg.1, Unit 7  
Dania, FL 33004  
USA  
Tel.: (954) 925-3625  
Fax.: (954) 925-3626  
E-mail: sales@tiger-vac.com

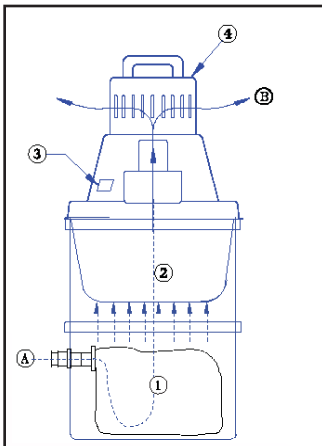
Tiger-Vac International Inc.  
2020 Dagenais Blvd. West  
Laval, Quebec  
Canada H7L 5W2  
Tel.: (450) 622-0100  
Fax.: (450) 625-3388  
E-mail: support@tiger-vac.com

Toll free telephone: 1 800 668-4437 (Fax: 1 800 668-4439)  
<http://www.tiger-vac.com>

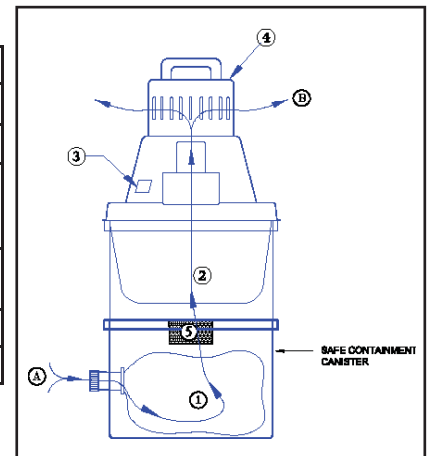
## Technical specifications

Model	Phase/Volts	Electric current	Electric power	Airflow	Vacuum at sealed orifice	Recovery capacity
EMI-1000 ULPA	120V 60Hz	8.5 A	1000 W	120 CFM	99" H <sub>2</sub> O	4 Gal (15.2 ℓ)
	230V/240V 50Hz	4.6A	1000 W	46L/S	2050mm H <sub>2</sub> O	Paper filter bag: 2 Gal (7.2 ℓ)
Dimensions: L16" (41cm) x W16" (41cm) x H34" (86cm). 36 lbs (16.4 kg)						Noise level: 70 dB(A) at 6.6' (2m)

### Filtration system:



1	Paper filter bag (pkg. of 5)
2	PTFE laminated main cloth filter
3	EMI filter
4	ULPA Filter efficiency of 99.999% @ 0.12 micron. Tested: IEST RP-CC001.3. Filtration efficiency of 99.9995% @ 0.18 micron. Tested: IEST RP-CC001.3.
5	HEPA Filter efficiency of 99.995% @ 0.3 micron. Tested: IEST RP-CC001.3. Type H14
A	Suction intake
B	Clean Air Exhaust

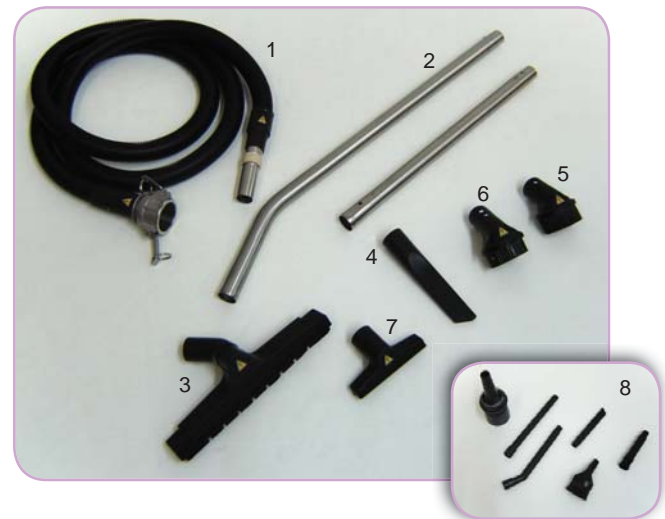


### Ø32mm Standard tools and accessories (Kit #1)

#	Part number	Description
	323600	Complete tool kit - Standard (kit #1)
1	323606	Suction Hose Assembly. 8½' (2.6m)
2	323504A	Extension Wand, telescopic. Made of plastic
3	323508	Floor Tool. 14" (36cm)
4	323510	Crevice Tool. 7¾" (20cm)
5	323514	Dusting Brush. 3" (8cm)
6	323512	Upholstery Tool. 12.7cm

### Ø32mm ESD safe tools and accessories (Kit #2)

#	Part number	Description
	323602	Complete tool kit - ESD Safe (kit #2)
1	323608	ESD safe suction hose assembly. 8½' (2.6m)
2	323331	Wands, set of 2. One curved and one straight
3	323318A	Utility Floor Tool with brushes. ESD safe plastic
4	323313A	Crevice Tool. ESD safe plastic
5	323312A	Round Brush. ESD safe plastic
6	323321A	Round Tool with rubber blades. ESD safe plastic
7	323314A	Flat Tool. ESD safe plastic
8	323316	Micro Tool Kit. 6 mini attachments. ESD safe plastic



### Ø32mm Autoclavable tools and accessories (Kit #3)

#	Part number	Description
	323604	Complete tool kit - Autoclavable (kit #3)
1	323462	EDPM Suction hose assembly. Autoclavable. 8½' (2.6m)
2	323412	Floor tool w/nylon wheels and nitrile rubber blades. 12" (30 cm). Stainless steel AISI 304
3	323413	Crevice tool. 10" (25.4 cm). Stainless steel AISI 304
4	323565	Conical nozzle with curved tip. 10" (25.4 cm). Clear silicone
5	323331	Wands, set of 2. One curved and one straight. Stainless steel AISI 304

For complete details please visit our website: [WWW.TIGER-VAC.COM](http://WWW.TIGER-VAC.COM) or contact one of our technical representatives.

Specifications are subject to change without notice. Images are for illustration purposes only. Tiger-Vac is a registered trademark.